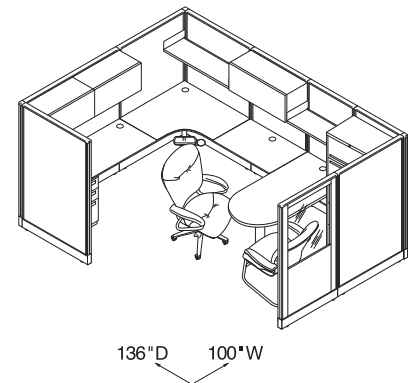


Initiate® Manager Station



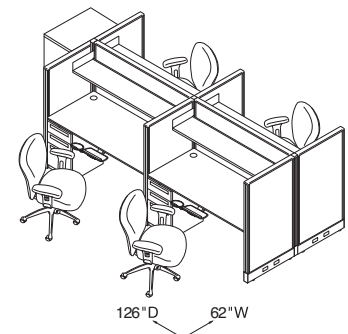
The following two pages contain examples of Initiate® workstations. Each “typical” is shown in 3D hidden line perspective and a 2D CAD drawing. Along with each typical is a complete listing of all the components, including electrical requirements that relate to that workstation. Use the information and format to better understand the layout and specifying of Initiate.

Line Item	Product Description	Qty	Model #	Fabric Grade	List Price	Price Extension
1	Flagship Series Mobile Ped “N” Pull B/B/F 28”H x 23”D x 15”W	2	H18723N		\$ 583	\$ 1,166
2	30”W 5-Drawer “N” Pull Flagship Lateral 64 1/4”H x 18”D	1	H9175N		\$1,594	\$ 1,594
3	Flat Bracket 24”D	1	HHN831124		\$ 46	\$ 46
4	Tasklight 22 1/8”W	3	HH870930		\$ 181	\$ 543
5	Electrical Pass-Thru Cable 36”W	2	HH871136		\$ 102	\$ 204
6	Electrical Power Harness 36”W	1	HH871236		\$ 167	\$ 167
7	Electrical Power Harness 60”W	1	HH871260		\$ 176	\$ 176
8	Duplex Receptacle Circuit 1	3	HH871501		\$ 32	\$ 96
9	Duplex Receptacle Circuit 4	1	HH871504		\$ 32	\$ 32
10	Power In-Feed Cable, Base (Flex Cable)	1	HH879072		\$ 186	\$ 186
11	Open Shelf 30”W	1	HNSH30		\$ 207	\$ 207
12	Open Shelf 36”W	1	HNSH36		\$ 221	\$ 221
13	Cableway Fabric Panel 68”H x 30”W	2	HNP6830F	III	\$ 467	\$ 934
14	Raceway Fabric Panel 68”H x 36”W	3	HNR6836F	III	\$ 536	\$ 1,608
15	Cableway Half Glazed Panel 68”H x 36”W	1	HNP6836H	III	\$ 754	\$ 754
16	Cableway Fabric Panel 68”H x 48”W	2	HNP6848F	III	\$ 584	\$ 1,168
17	Raceway Fabric Panel 68”H x 60”W	1	HNR6860F	III	\$ 663	\$ 663
18	Universal Connector 68”H	3	HNRC68		\$ 141	\$ 423
19	Baserail End Cover	1	HNREC		\$ 26	\$ 26
20	Overhead Storage Cab w/Doors 36”W	1	HNOH36FD		\$ 478	\$ 478
21	Overhead Storage Cab w/Doors 60”W	1	HNOH60FD		\$ 691	\$ 691
22	Corner Worksurface 36”W x 24”D	1	HWC3624T		\$ 472	\$ 472
23	Peninsula 30”W x 66”L	1	HWP3066T		\$ 495	\$ 495
24	Support Column For 29 1/2”H Peninsula	1	HCNLEG29		\$ 170	\$ 170
25	Worksurface 36”W x 24”D	1	HWR2436T		\$ 267	\$ 267
26	Worksurface 60”W x 24”D	1	HWR2460T		\$ 375	\$ 375
27	Low-back Chair	1	H6212	III	\$ 882	\$ 882
TOTAL:					\$14,044	

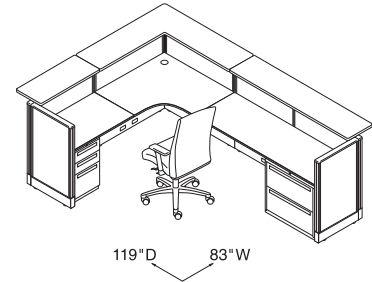


Initiate® Telemarketing Station

Line Item	Product Description	Qty	Model #	Fabric Grade	List Price	Price Extension
1	Flagship Series Mobile Ped “R” Pull B/B/F 28”H x 23”D x 15”W	4	H18723R		\$583	\$ 2,332
2	Electrical Pass-Thru Cable 30”W	1	HH871130		\$102	\$ 102
3	Electrical Power Harness 60”W	2	HH871260		\$176	\$ 352
4	Duplex Receptacle Circuit 4	4	HH871504		\$ 32	\$ 128
5	Power In-Feed Cable, Base (Flex Cable)	1	HH879072		\$186	\$ 186
6	Open Shelf 60”W	4	HNSH60		\$293	\$ 1,172
7	Cableway Fabric Panel 55”H x 30”W	6	HNP5530F	III	\$432	\$ 2,592
8	Raceway Fabric Panel 55”H x 60”W	2	HNR5560F	III	\$635	\$ 1,270
9	Universal Connector 55”H	3	HNRC55		\$126	\$ 378
10	Baserail End Cover	3	HNREC		\$ 26	\$ 78
11	Worksurface 60”W x 30”D	4	HWR3060T		\$411	\$ 1,644
12	Worksurface Bracket Kit	8	HWSB2		\$ 34	\$ 272
13	Low-back Chair	4	H7628	III	\$735	\$ 2,940
TOTAL:					\$13,446	
Per Person:					\$3,126	



Line Item	Product Description	Qty	Model #	Fabric Grade	List Price	Price Extension
1	Flagship Series Mobile Ped "N" Pull B/B/F 28"H x 23"D x 15"W	1	H18723N		\$583	\$ 583
2	36"W 2-Drawer "N" Pull Flagship Lateral 36"W x 28"H x 18"D	1	H9180N		\$834	\$ 834
3	Electrical Pass-Thru Cable 25½"W	1	HH871124		\$102	\$ 102
4	Electrical Pass-Thru Cable 36"W	2	HH871136		\$102	\$ 204
5	Electrical Power Harness 36"W	2	HH871236		\$167	\$ 334
6	Duplex Receptacle Circuit 1	2	HH871501		\$ 32	\$ 64
7	Duplex Receptacle Circuit 4	1	HH871504		\$ 32	\$ 32
8	Power In-Feed Cable, Base (Flex Cable)	1	HH879072		\$186	\$ 186
9	Corner Countertop 36"W x 36"D	1	HINCC3636T		\$480	\$ 480
10	Straight Countertop 36"W x 15"D	1	HINCS1536T		\$203	\$ 203
11	Straight Countertop 72"W x 15"D	1	HINCS1572T		\$291	\$ 291
12	Cableway Fabric Panel 42"H x 24"W	2	HNP4224F	III	\$364	\$ 728
13	Raceway Fabric Panel 42"H x 36"W	5	HNR4236F	III	\$447	\$2,235
14	Universal Connector 42"H	3	HNRC42		\$109	\$ 327
15	Baseraill End Cover	1	HNREC		\$ 26	\$ 26
16	Corner Worksurface 36"W x 24"D	1	HWC3624T		\$472	\$ 472
17	Worksurface 36"W x 24"D	1	HWR2436T		\$267	\$ 267
18	Worksurface 72"W x 24"D	1	HWR2472T		\$418	\$ 418
19	Ignition Work Chair	1	HIWM1AHU		\$522	\$ 522
TOTAL:					\$8,308	



Initiate® Quad Station

Line Item	Product Description	Qty	Model #	Fabric Grade	List Price	Price Extension
1	Flagship Series Mobile Ped "R" Pull B/B/F 28"H x 23"D x 15"W	4	H18723R		\$583	\$ 2,332
2	Flagship Series Mobile Ped "R" Pull F/F 28"H x 23"D x 15"W	4	H18823R		\$583	\$ 2,332
3	Tasklight 22⅞"W	8	HH870930		\$181	\$ 1,448
4	Electrical Pass-Thru Cable 25½"W	1	HH871124		\$102	\$ 102
5	Electrical Power Harness 36"W	6	HH871236		\$167	\$ 1,002
6	Duplex Receptacle Circuit 1	8	HH871501		\$ 32	\$ 256
7	Duplex Receptacle Circuit 4	4	HH871504		\$ 32	\$ 128
8	Power In-Feed Cable, Base (Flex Cable)	1	HH879072		\$186	\$ 186
9	Open Shelf 36"W	4	HNSH36		\$221	\$ 884
10	Cableway Fabric Panel 55"H x 24"W	8	HNP5524F	III	\$414	\$ 3,312
11	Raceway Fabric Panel 68"H x 36"W	8	HNR6836F	III	\$536	\$ 4,288
12	Universal Connector 68"H	5	HNRC68		\$141	\$ 705
13	Baseraill End Cover	4	HNREC		\$ 26	\$ 104
14	Overhead Storage Cab w/Doors 36"W	4	HNOH36FD		\$478	\$ 1,912
15	Corner Worksurface 36"W x 24"D	4	HWC3624T		\$472	\$ 1,888
16	Worksurface 36"W x 24"D	8	HWR2436T		\$267	\$ 2,136
17	Variable Height Connector	2	HNCVH2		\$ 26	\$ 52
18	Managerial Low-back Chair	4	H6213	III	\$836	\$ 3,344
TOTAL:					\$26,411	
Per Person:					\$6,585.50	

