



Wood Glider Series

Index

Product Features.....	WG-2
Elevations.....	WG-4
Section Details:	
Interior Ovalo Profile.....	WG-5
Typical Wall Sections.....	WG-6



Wood Glider Series

Product Features

STANDARD FEATURES:

- ~ Natural or prime time 2, eastern white pine (clear interior/finger joint exterior)
- ~ Frame construction design for 4 9/16" jambs
- ~ Clear insulated glass
- ~ Choice of black, grey or aluminum spacer bar
- ~ White or coppertone hardware & screen
- ~ EM600 & 566 subsill
- ~ Wood sill liner cover (norcoated to match exterior finish)

SPECIFICATIONS:

FRAME:

- ~ 1 1/16" thick X 4 9/16" width/base jamb in pine (or other wood species).
- ~ Jamb extension is 2 1/32" thick and is available up to 16" wide.

SASH:

- ~ 1 3/8" thick in clear pine (or other wood species).
- ~ Interior profiling is oval
- ~ Sash is manufactured with Qlong weather stripping (white or beige) on sash & Poly Flex (white or beige) on sill liner.

HARDWARE:

- Restoration lock & keeper with handle style lift
- ~ White (standard finish)
- ~ Coppertone (standard finish)
- ~ Oil rubbed bronze
- ~ Antique brass
- ~ Western pewter
- ~ Bright brass
- ~ Finish chrome
- ~ Bronze 03
- ~ Satin nickel
- ~ Brushed nickel
- ~ Bright chrome

SCREENS (aluminum) exterior application:

- ~ White (standard)
- ~ Coppertone (standard)
- ~ Brown
- ~ Black
- ~ Beige
- ~ Ivory
- ~ Green
- ~ Mill finish
- ~ Norcoat finish

Aluminum screens are manufactured with 90 degree angled corners. (Note: Corners will not match Norcoat finish) Black, grey fiberglass mesh & Crystal Clear screen mesh available. Aluminum mesh is available upon request.

Wood Glider Series

Product Features

GRILLES:

SIMULATED DIVIDED LITE (SDL):

Exterior sdl available in putty & ovalo

- ~ 5/8"
- ~ 7/8"
- ~ 1 1/4"
- ~ 1 3/4"
- ~ 2"
- ~ 2 1/4"

Interior sdl available in ovalo

- ~ 5/8"
- ~ 7/8"
- ~ 1 1/4"
- ~ 1 3/4"
- ~ 2"
- ~ 2 1/4"

WOOD REMOVABLE GRILLES:

- ~ 7/8"
- ~ 1 1/4"

Wood removable grilles come complete with wood surround and are only available in ovalo profile.

ALUMINUM GRILLES:

Aluminum grilles are located between the glass and are available rectangular. These grilles are available in white or white Georgian.

Pencil grilles are located between the glass and are available in 3/8" pewter or brass.

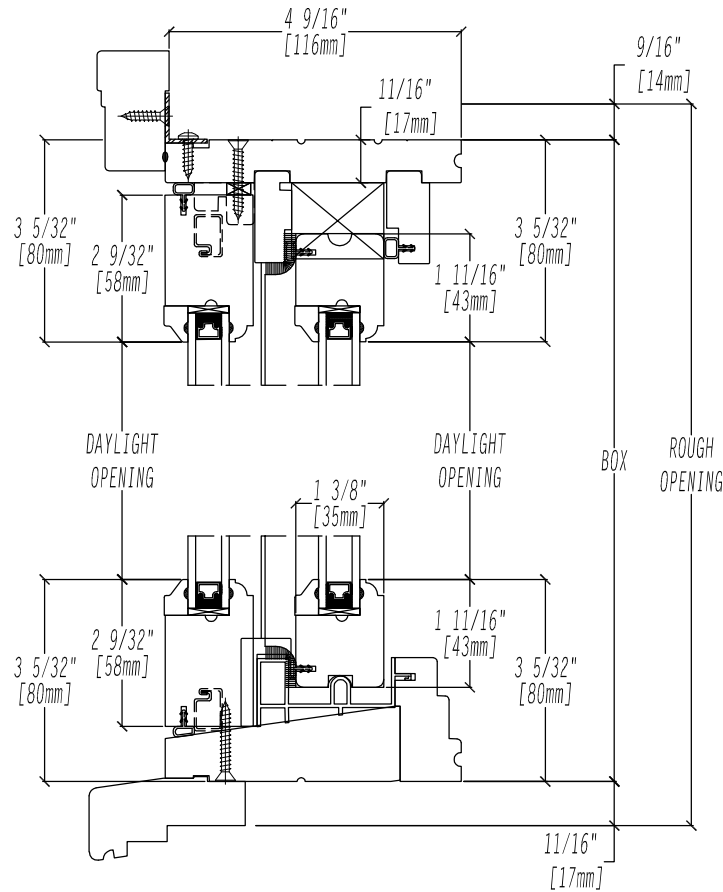
LEAD OVERLAY:

- ~ 1/4"
- ~ 3/8"
- ~ 1/2"

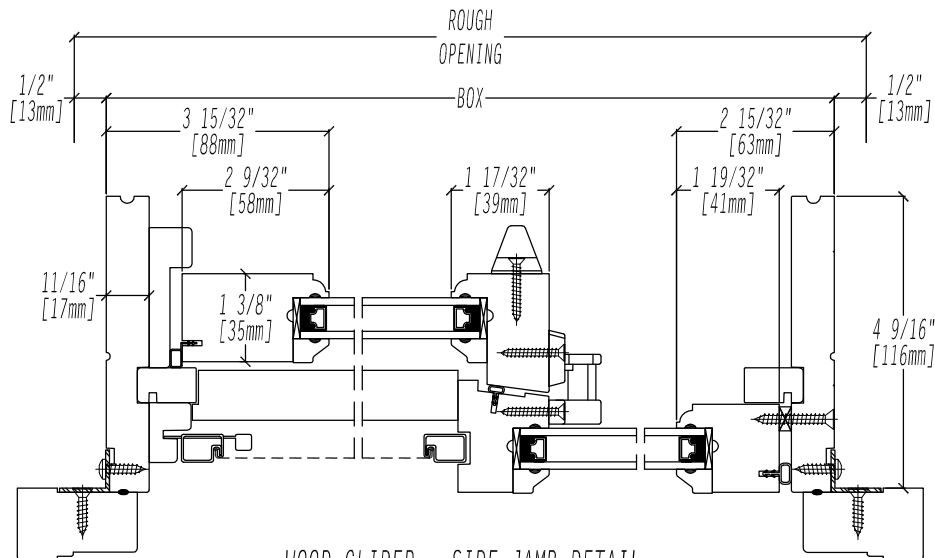
Lead overlay can be applied to one or multiple faces of glass, however, cannot be applied to the low e surface. Lead overlay is available in patina or silver lead. Custom patterns are available upon request.

Wood Glider Series

Section Details



WOOD GLIDER - HEAD & SILL JAMB DETAIL



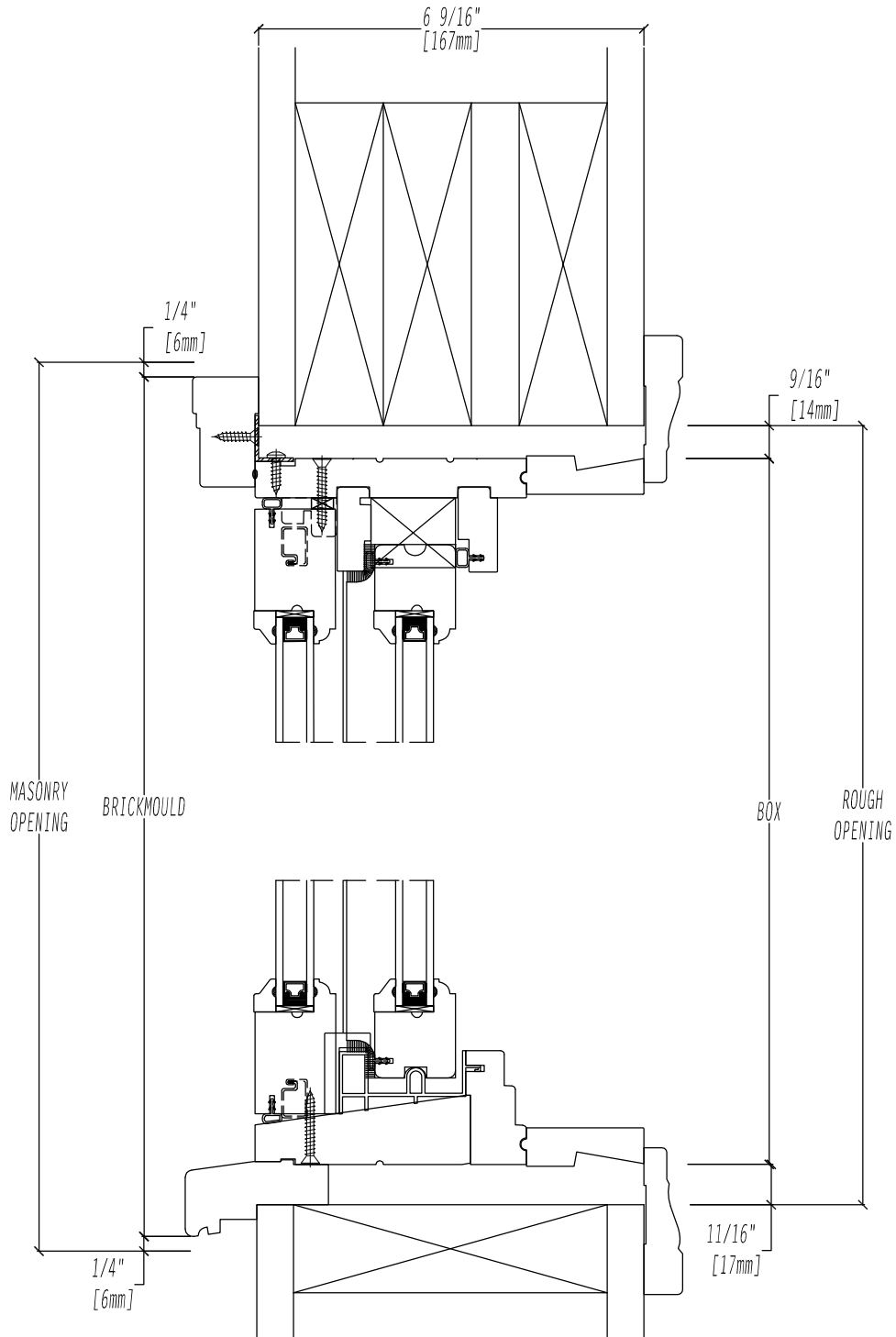
WOOD GLIDER - SIDE JAMB DETAIL

WG-5

2012

Wood Glider Series

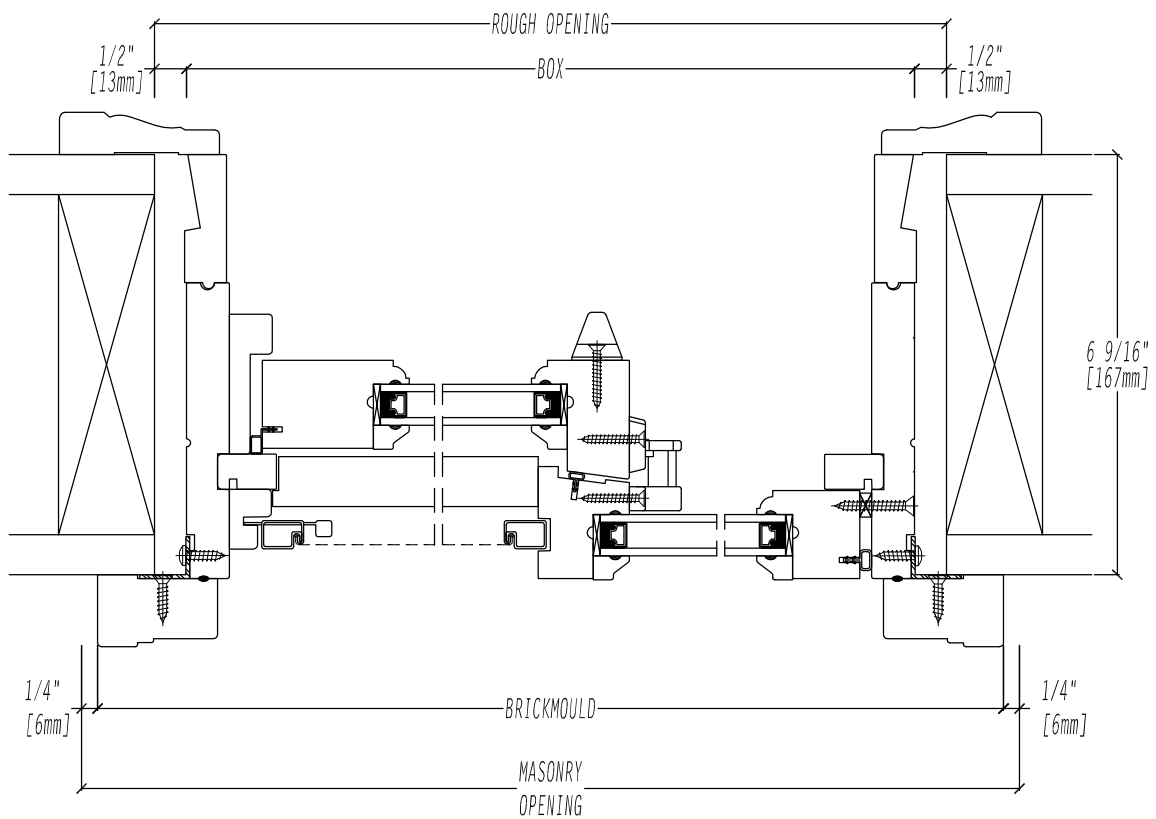
Wall Section Detail



WOOD GLIDER - TYPICAL WALL SECTION DETAIL

Wood Glider Series

Wall Section Detail



WOOD GLIDER - TYPICAL WALL SECTION DETAIL